

LED T5A PVC Bracket LED Fluorescent series



Features

LT-T5A PVC Aluminium Bracket LED Fluorescent series is energy saving and long life lighting product, newly developed and produced by LEDTEK, available in standard length and color temperature, Made of SMD LEDs, Aluminium type circuit board. It features long lifespan, energy efficiency, environmental friendliness. The T5 Tube inside the LT-T5A fixtures is driven by constant current driver, the driver installed inside the LT-T5A fixtures

Benefits

- 1) Solid-state, high shock / vibration resistant
- 2) Major reduction in power costs
- 3) No RF interference, No buzzing noise
- 4) No fluorescent flickering
- 5) No hazard of mercury or lead entering the environment
- 6) No danger of broken glass
- 7) No threat of high-voltage electrocution
- 8) Maintenance free, easy installation
- 9) Long lifetime 50, 000+ hrs (5+ years)
- 10) Low power consumption, high intensity

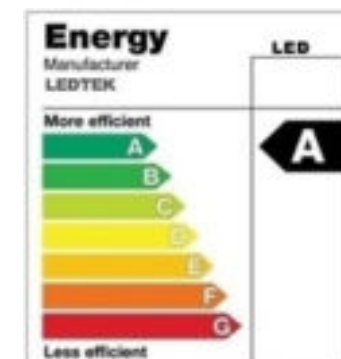
Applications

- 1) Under counter lighting
- 2) Uninterrupted emergency lighting
- 3) Focused reading and Task lighting
- 4) Interior design uses
- 5) Retail store displays
- 6) Closet illumination
- 7) Cove lighting
- 8) Marine recreation applications
- 9) Concealed accent lighting
- 10) Edge lighting
- 11) Bus, shuttle, railcar passenger interiors
- 12) Cubicle, workbench lighting
- 13) Recreational vehicle interiors



LT-T5A series

CE RoHS



Basic Specifications	Light Source	3528 SMD LED
	Color Temperature	Daylight (6000K-7000K) CoolWhite (4000K-4500K) WarmWhite (3000K-3500K)
	LifeSpan	*30,000Hours
	Shell	PVC Bracket

Operating Environment	Working Temperature	-4F to 122F (-20C to 50C)
-----------------------	---------------------	---------------------------

Basic Electrical Specifications	Input Voltage	AC85V-264V
	LED drive mode	Constant Current Mode

Optical	View Angle	>120 degree
---------	------------	-------------

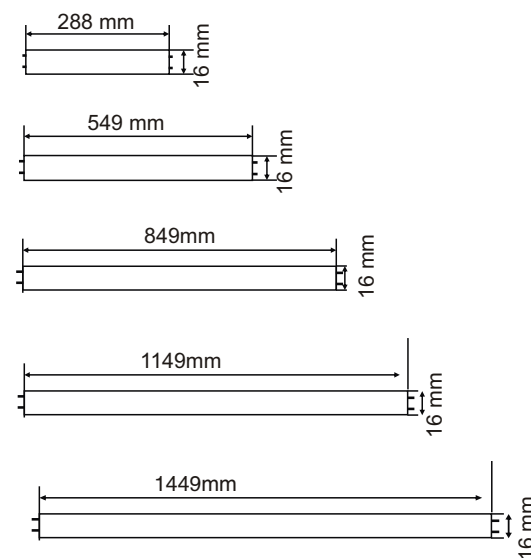
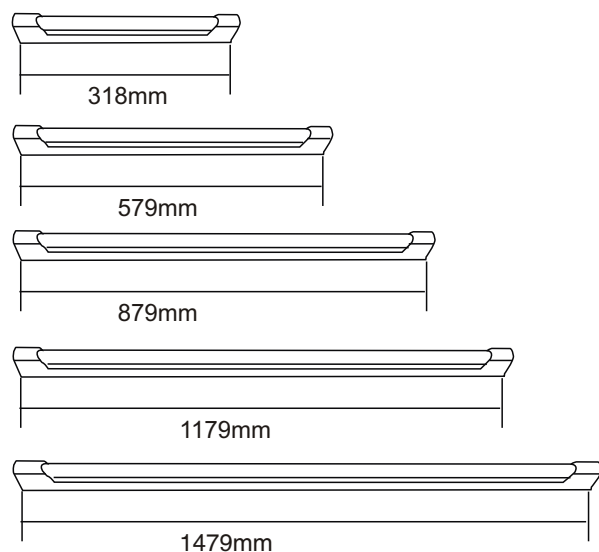
Part No.	Emitting Colour	TC(K)	Watt(w)	Luminous Flux(lm)	Voltage(V)
LT-T5-PT/F(N/H)-288-DW	Day Light	6000-7000	4w ± 10%	216/312	AC85V-264V
LT-T5-PT/F(N/H)-288-CW	Cool White	4000-4500	4w ± 10%	206/302	
LT-T5-PT/F(N/H)-288-WW	Warm White	3000-3500	4w ± 10%	196/292	
LT-T5-PT/F(N/H)-549-DW	Day Light	6000-7000	7w ± 10%	510/730	
LT-T5-PT/F(N/H)-549-CW	Cool White	4000-4500	7w ± 10%	500/720	
LT-T5-PT/F(N/H)-549-WW	Warm White	3000-3500	7w ± 10%	490/710	
LT-T5-PT/F(N/H)-849-DW	Day Light	6000-7000	11w ± 10%	760/1100	
LT-T5-PT/F(N/H)-849-CW	Cool White	4000-4500	11w ± 10%	740/1080	
LT-T5-PT/F(N/H)-849-WW	Warm White	3000-3500	11w ± 10%	730/1070	
LT-T5-PT/F(N/H)-1149-DW	Day Light	6000-7000	14w ± 10%	980/1400	
LT-T5-PT/F(N/H)-1149-CW	Cool White	4000-4500	14w ± 10%	960/1380	
LT-T5-PT/F(N/H)-1149-WW	Warm White	3000-3500	14w ± 10%	950/1370	
LT-T5-PT/F(N/H)-1449-DW	Day Light	6000-7000	16w ± 10%	1080/1560	
LT-T5-PT/F(N/H)-1449-CW	Cool White	4000-4500	16w ± 10%	1070/1550	
LT-T5-PT/F(N/H)-1449-WW	Warm White	3000-3500	16w ± 10%	1060/1540	



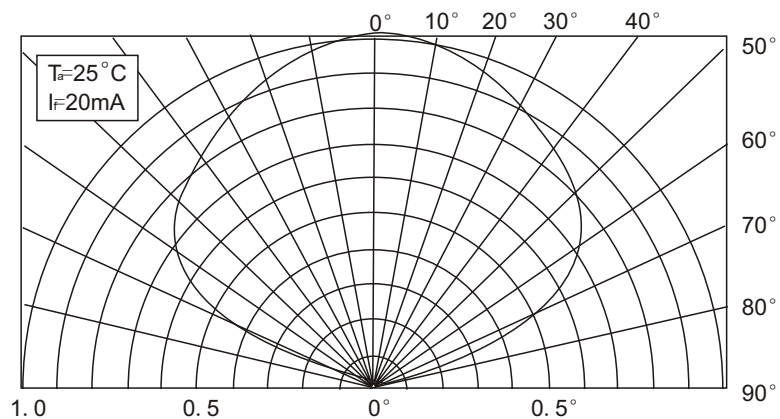
CE RoHS

* Tc=25°C Note: LED's life may be affected by various factors

Physical Dimension



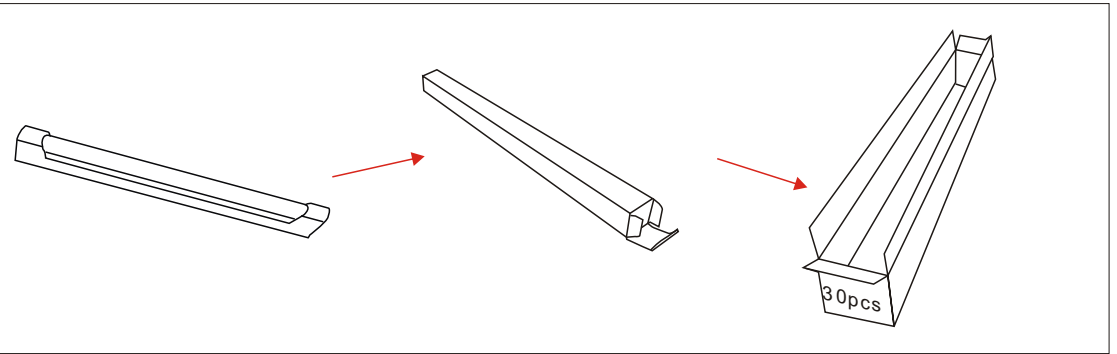
Candle Power Distribution Curve



Packing information

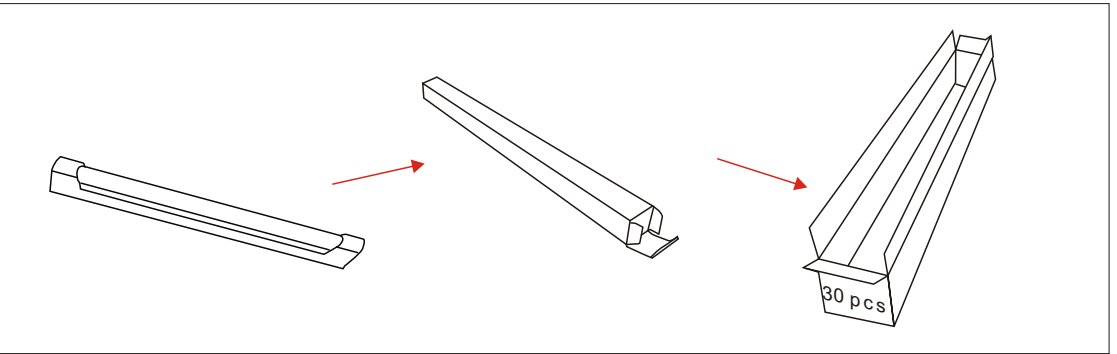
LT-T5-PT/F-288

Individual Net Weigh	105g
Packing Qty	30pcs/carton
Net weight	3.2Kgs
Gross weight	5.2Kgs
Outside packing carton	463*310*190mm



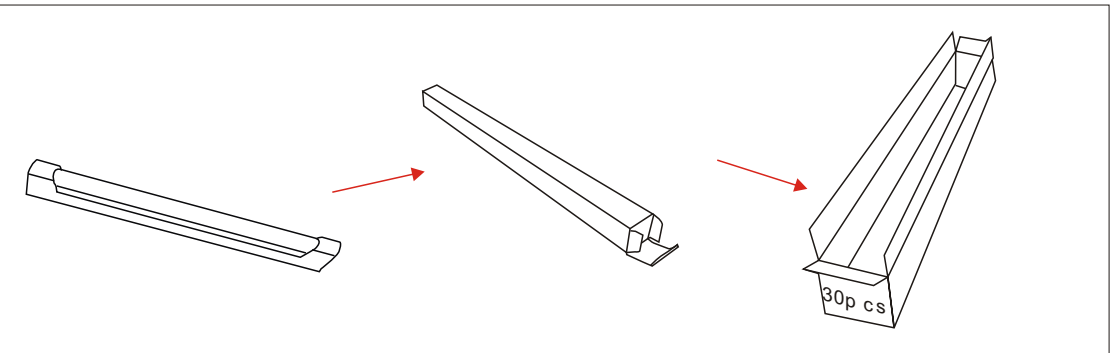
LT-T5-PT/F-549

Individual Net Weigh	146g
Packing Qty	10pcs/carton
Net weight	1.5Kgs
Gross weight	4.5Kgs
Outside packing carton	650*140*170mm



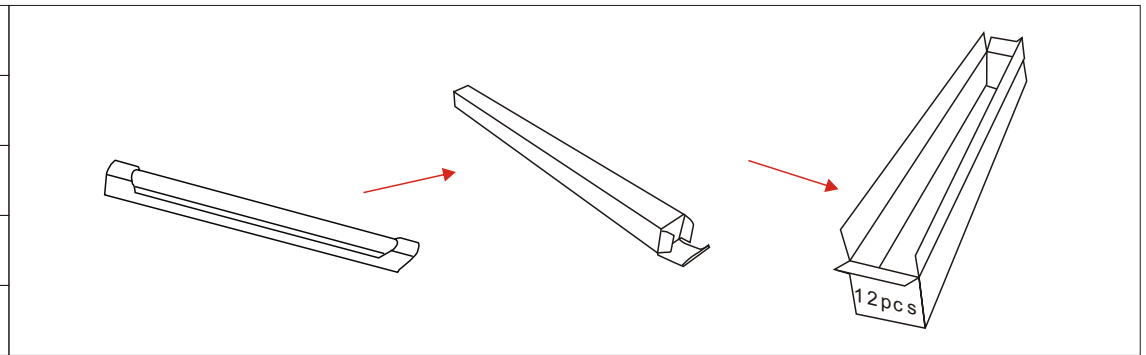
LT-T5-PT/F-849

Individual Net Weigh	221g
Packing Qty	10pcs/carton
Net weight	2.3Kgs
Gross weight	5Kgs
Outside packing carton	950*140*170mm



LT-T5-PT/F-1149

Individual Net Weigh	264g
Packing Qty	10pcs/carton
Net weight	3.0Kgs
Gross weight	6.5Kgs
Outside packing carton	1300*140*170mm

**LT-T5-PT/F-1449**

Individual Net Weigh	300g
Packing Qty	10pcs/carton
Net weight	3.5Kgs
Gross weight	8.0Kgs
Outside packing carton	1600*140*170mm

