



LED T10 Fluorescent Lamp

— LT-T10-ATN series

General

LEDTEK is leading LED Fluorescent tube manufacturer, we developed the First generation LED fluorescent tube in 2006, we developed several Generation High Lumen LED fluorescent tube till now to meet different market Requirement. LED fluorescent tube is still a new product to many customer now. There are many factors to affect the quality of the LED fluorescent. The detail information of how to choose LED fluorescent lamp, please check our relative

Features

LT-T10-ATN fluorescent tube series is energy saving and long life Lighting product, developed and produced by LEDTEK, available in Standard length and color temperature.
Made of SMD LEDs with aluminium body. It features long Lifespan, energy efficiency and environmently friendliness.

Recommend product



Why recommend

Using 3528 SMD LED—Low light attenuation than DIP LED
The heat dissipation ability of 3528 SMD LED better than DIP LED.
Using aluminium body to improve the heat dissipation ability
The cover is specially designed to reduce the glaring of the LED



LEDTEK Optoelectronic Technology Co. , Ltd

RoHS

CE

Benefits

- 1) Solid-state, high shock / vibration resistant
- 2) Major reduction in power costs
- 3) No RF interference, No buzzing noise
- 4) No fluorescent flickering
- 5) No hazard of mercury or lead entering the environment
- 6) No danger of broken glass
- 7) No threat of high-voltage electrocution
- 8) Maintenance free, easy installation
- 9) Long lifetime
- 10) Low power consumption, high intensity

Applications

Replacement for conventional fluorescent tubes

Basic Specifications

Light Source	3528SMD LED
ColorTemperature	Day light (7000K-6000K) Cool White (4500K-4000K) Warm White (3500K-3000K)
LifeSpan	*30,000Hours
Shell	Aluminium Body/PC shell

Operating Environment

WorkingTemperature	-4°F to 122°F(-20°C to 50°C)
--------------------	------------------------------

Basic Electrical Specifications

InputVoltage	AC110V/AC220V/AC 85V-264V
LED drive mode	Constant Current Mode
PF	>0.97

Optical

View Angle	120 degree
------------	------------



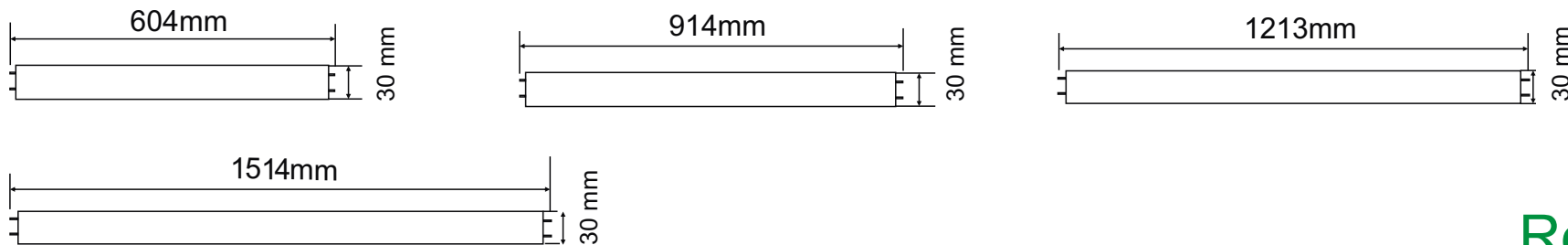
CE RoHS

* T_c=25°C Note: LED's life may be affected by various factors

Specification table

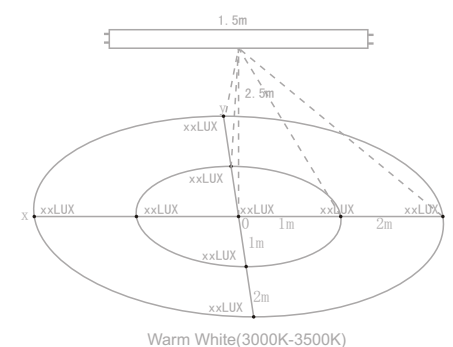
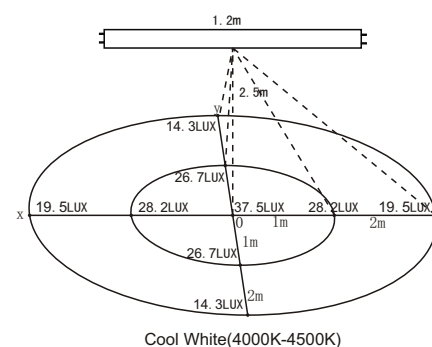
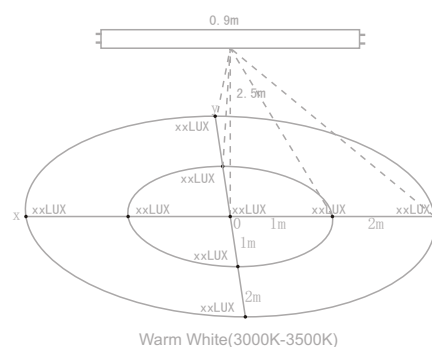
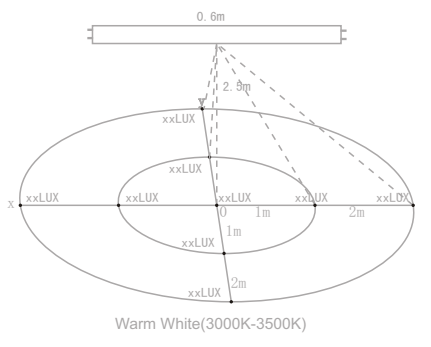
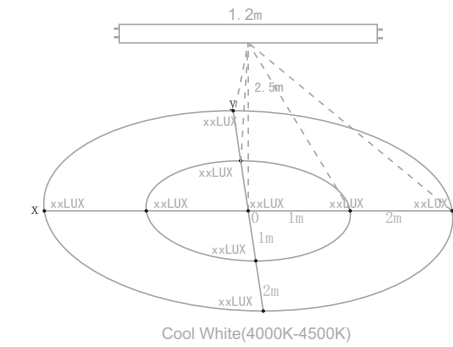
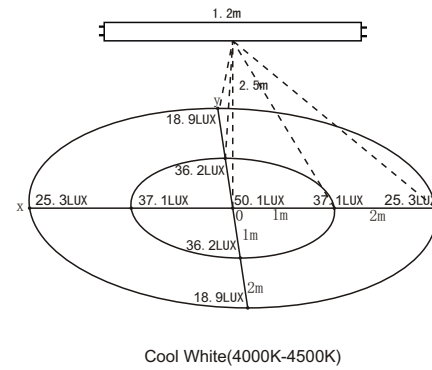
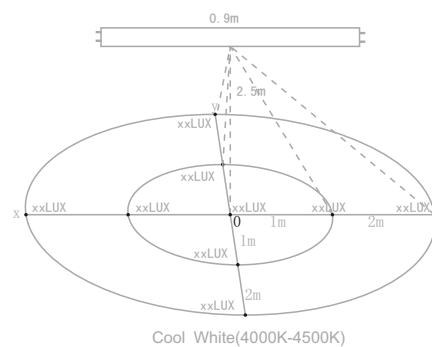
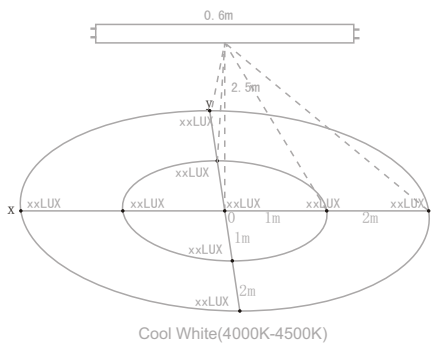
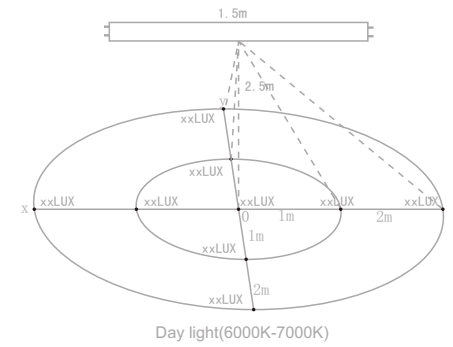
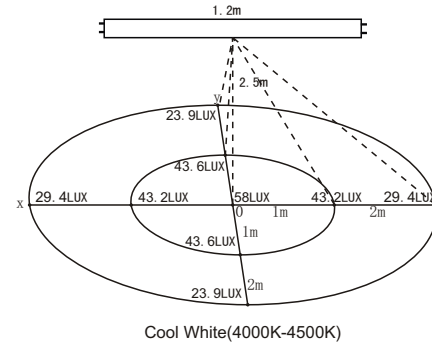
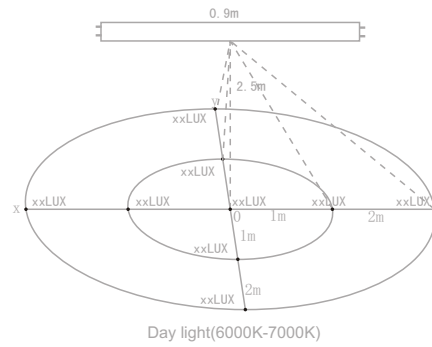
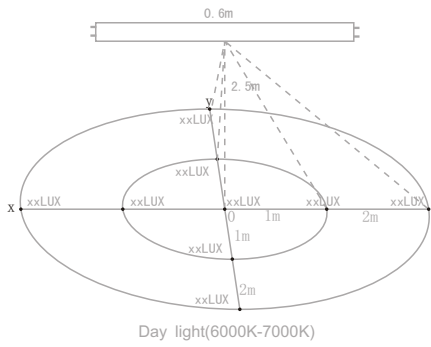
Part No.	Emitting Colour	TC(K)	Watt(w)	Luminous Flux(lm)	Voltage(V)
LT-T10-ATN-9W-DW (60cm)	Day Light	6000-7000	9w ±10%	650/936	AC110V/AC220V/ AC85V-264V
LT-T10-ATN-9W-CW (60cm)	Cool White	4000-4500	9w ±10%	640/926	
LT-T10-ATN-9W-WW (60cm)	Warm White	3000-3500	9w ±10%	630/916	
LT-T10-ATN-14W-DW (90cm)	Day Light	6000-7000	14w ±10%	952/1384	
LT-T10-ATN-14W-CW (90cm)	Cool White	4000-4500	14w ±10%	942/1374	
LT-T10-ATN-14W-WW (90cm)	Warm White	3000-3500	14w ±10%	932/1364	
LT-T10-ATN-18W-DW (120cm)	Day Light	6000-7000	18w ±10%	1300/1880	
LT-T10-ATN-18W-CW (120cm)	Cool White	4000-4500	18w ±10%	1290/1860	
LT-T10-ATN-18W-WW (120cm)	Warm White	3000-3500	18w ±10%	1280/1850	
LT-T10-ATN-22W-DW (150cm)	Day Light	6000-7000	22w ±10%	1620/2340	AC110V/AC220V
LT-T10-ATN-22W-CW (150cm)	Cool White	4000-4500	22w ±10%	1610/2330	
LT-T10-ATN-22W-WW (150cm)	Warm White	3000-3500	22w ±10%	1600/2320	

Physical Dimension



RoHS CE

Illumination the centre



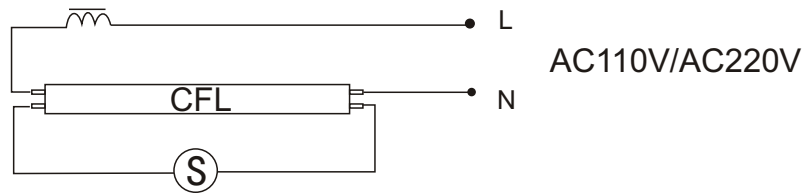
60CM Fluorescent

90CM Fluorescent

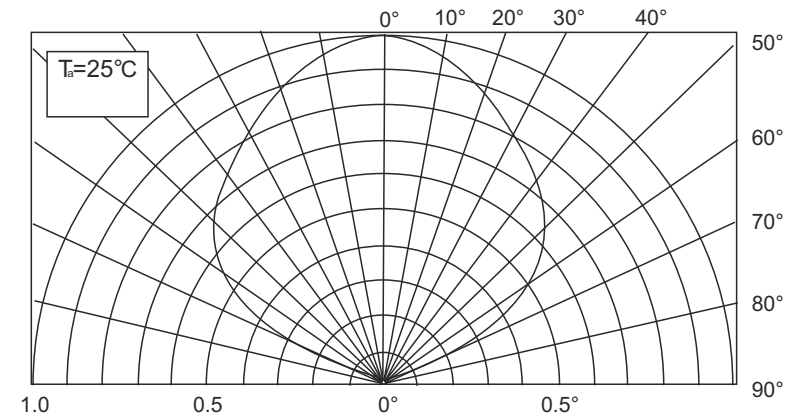
120CM Fluorescent

150CM Fluorescent

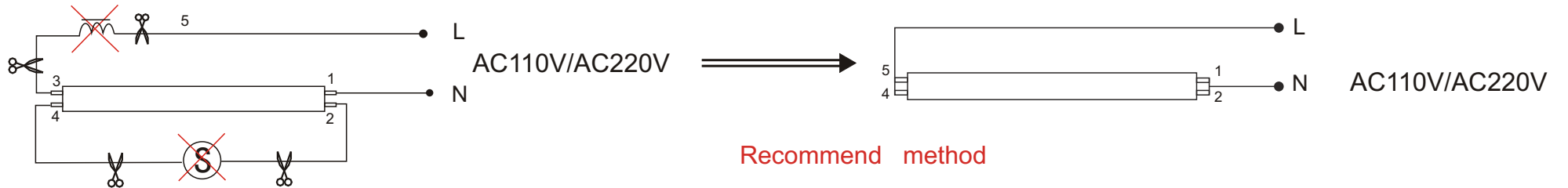
Conventional Fluorescent Lamp Connection Method



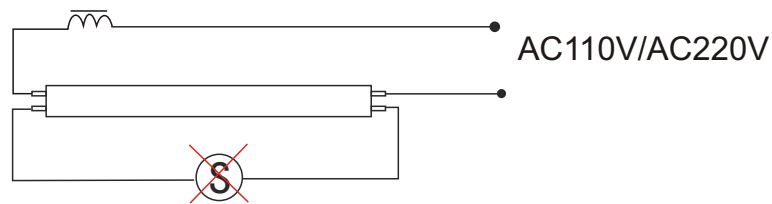
Candle Power Distribution Curve



How to replace the Conventional Fluorescent Lamp **Remove ballast and starter before replacement**



Remove ballast and starter before replacement

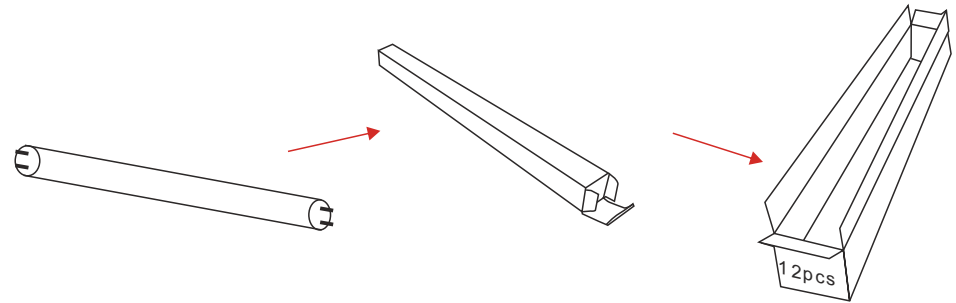


Rapidly method

Packing information

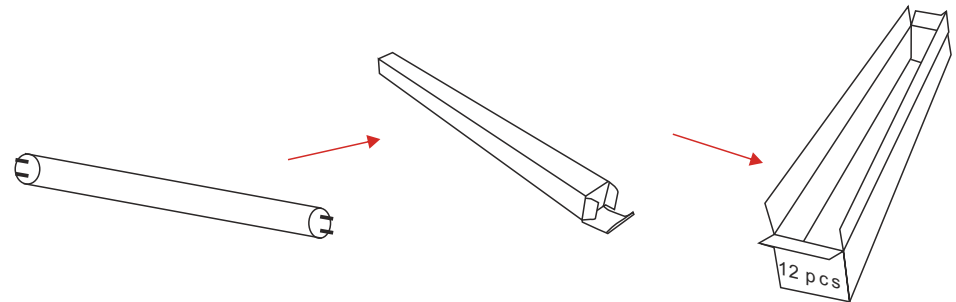
LT-T10-ATN9W

Individual Net Weigh	280g
Packing Qty	12pcs/carton
Net weight	3.4Kgs
Gross weight	5.4Kgs
Outside packing carton	660*156*122mm



LT-T10-ATN18W

Individual Net Weigh	580g
Packing Qty	12pcs/carton
Net weight	6.9kgs
Gross weight	8.9Kgs
Outside packing carton	1260*156*122mm



LT-T10-ATN22W

Individual Net Weigh	600g
Packing Qty	12pcs/carton
Net weight	7.2Kgs
Gross weight	9.2Kgs
Outside packing carton	1560*156*122mm

