

## Hight Power LED Par20 Spot light (Par20灯杯系列)

--LT-HPPAR20-3W

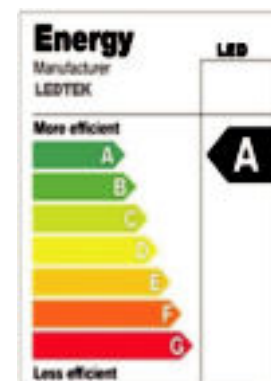
【规格书】

### Features

1. Base type: E27/E26
2. Energy-saving and environment-friendly
3. Full range of colors: cool white, warm white, red, blue, green and yellow
4. Superior thermal management with internal aluminium PCB board and external die cast housing
5. Light source: 3 pcs 1W high power LED
6. Working Temperature: -40 ~ 70 degrees Celsius
7. Brightness degradation: 6% - 10% 1kh
8. Lifespan: 50,000 hours
9. No UV and IR radiation

### Applications

Widely used for decoration field such as super market, hotel, tavern, meeting-room, exhibition hall, show window, disco, karaoke singing-hall, house decoration and etc..  
Replacement bulbs for general lighting, especially for museums, art galleries, cosmetic counter and etc..



CE

RoHS

#### ShenZhen LEDTEK Optoelectronics Technology Co., Ltd

ADD: 7th Floor, No. 2 building, 1 Liuxian Road, Block 67, Jia'an High Tech Industrial Park, Bao'an Shenzhen China 518102  
TEL: 0755-26785388 FAX: 0755-26788290  
E-mail: sales@ledtek.com.cn Http://www.ledtek.com.cn

#### ● 深圳市镭泰光电科技有限公司

地址: 深圳市宝安区67区留仙一路甲岸科技园2号7楼  
电话: 0755-26785388 传真: 0755-26788290  
邮箱: sales@ledtek.com.cn Http://www.ledtek.com.cn



# Product Specification

## Remark:

1. Make sure the power supply is adapted to the right voltage before use;
2. Please insure that the switch is off before connect the power supply;
3. Plesae don't touch the metal body and watch the light source directly while lighting;
4. Indoor use only.

<b>Basic Specifiction</b>	Light Source	High-power 3pcs LED
	Color Temperature	R/G/B/Y Day light (6000K-7000K) Cool White (4000K-4500K) Warm White (3000K-3500K)
	LifeSpan	* 50, 000Hours
	Shell	Aluminium body/E27 / E26base
<b>Operating Environment</b>	Working Temperature	-40°C to 70°C Please make use of it in dry condition
<b>Basic Electrical Specification</b>	Input Voltage	AC110V/AC220V
	LED drive mode	Constant voltage mode
<b>Beam Angle Specification</b>	View Angle	5/8/10/15/30/45/60 degree



\* Tj=25°

**ShenZhen LEDTEK Optoelectronics Technology Co. , Ltd**  
ADD: 7th Floor, No. 2 building, 1 Liuxian Road, Block 67, Jia' an High Tech Industrial Park. Bao' an Shenzhen China 518102  
TEL: 0755-26785388 FAX: 0755-26788290  
E-mail: sales@ledtek. com. cn Http://www. ledtek. com. cn

● **深圳市镭泰光电科技有限公司**  
地址: 深圳市宝安区67区留仙一路甲岸科技园2号7楼  
电话: 0755-26785388 传真: 0755-26788290  
邮箱: sales@ledtek. com. cn Http://www. ledtek. com. cn

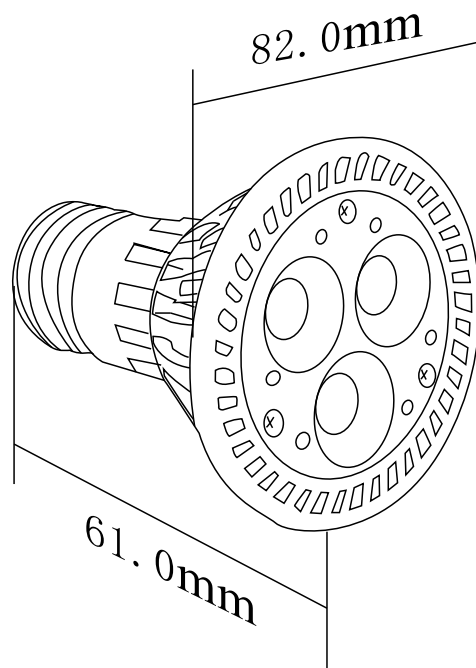


# Product Specification

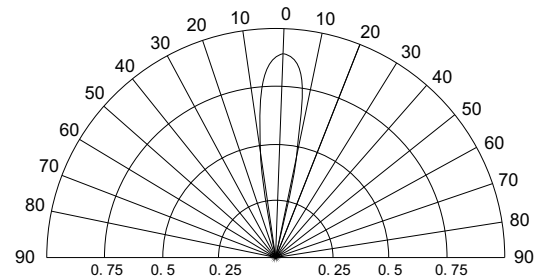
## Specification table

Part No.	Color Temperature	LEDs	Initial lighting	Size	Wattage	Voltage
LT-HPPAR20-3W×1-DW	Day Light (6000k-7000k)	3pcs×1	270lm	∅ 82×61mm	3W	AC110V/AC220V
LT-HPPAR20-3W×1-CW	Cool White (4000k-4500k)		262lm			
LT-HPPAR20-3W×1-WW	Warm White (3000k-3500k)		254lm			

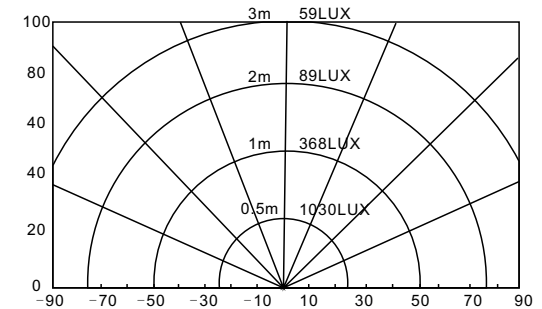
## Physical Dimension



## Optoelectronic

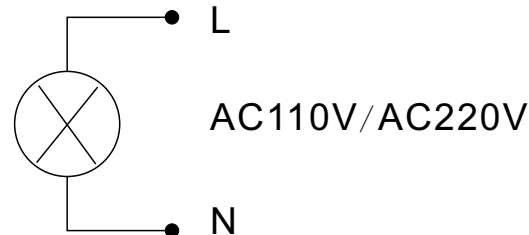


Candle Power Distribution Curve



Illumination the centre

## Installation Illustration



### ShenZhen LEDTEK Optoelectronics Technology Co., Ltd

ADD: 7th Floor, No. 2 building, 1 Liuxian Road, Block 67, Jia' an High Tech Industrial Park. Bao' an Shenzhen China 518102  
 TEL: 0755-26785388 FAX: 0755-26788290  
 E-mail: sales@ledtek.com.cn Http://www.ledtek.com.cn

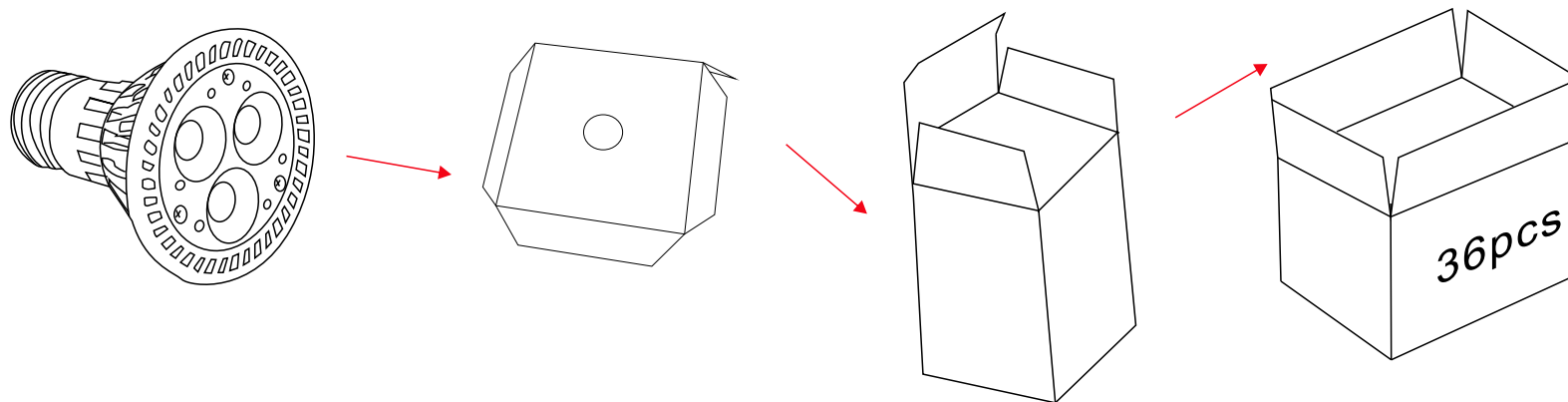
### ● 深圳市镭泰光电科技有限公司

地址: 深圳市宝安区67区留仙一路甲岸科技园2号7楼  
 电话: 0755-26785388 传真: 0755-26788290  
 邮箱: sales@ledtek.com.cn Http://www.ledtek.com.cn



## Packing Specification

Individual Net Weigh	98g
Packing Qty	36pcs/ box
Net weight	4.6Kgs
Gross weight	6.0Kgs
Outside packing carton	330*260*340mm



### ShenZhen LEDTEK Optoelectronics Technology Co., Ltd

ADD: 7th Floor, No. 2 building, 1 Liuxian Road, Block 67, Jia' an High Tech Industrial Park. Bao' an Shenzhen China 518102  
TEL: 0755-26785388 FAX: 0755-26788290  
E-mail: sales@ledtek.com.cn Http://www.ledtek.com.cn

### ● 深圳市镭泰光电科技有限公司

地址: 深圳市宝安区67区留仙一路甲岸科技园2号7楼  
电话: 0755-26785388 传真: 0755-26788290  
邮箱: sales@ledtek.com.cn Http://www.ledtek.com.cn

