

LED GU10 SPOTLIGHT



INTRODUCTION



Long life and high brightness Low power consumption and easy to handle, Environment friendly, Safety and easy to install.

1. Base type: GU10 base
2. Energy-saving and environment-friendly
3. Full range of colors: cool white, warm white, red, blue, green and yellow
4. Superior thermal management with internal aluminium PCB Board and external aluminum housing
5. Light source: 4pcs 1W high power LED
6. Temperature: -20°C ~ 50°C degrees Celsius
7. Brightness degradation: 3%-5% 1kh
8. Lifespan: 35,000 hours
9. No UV or IR radiation



APPLICATIONS

Widely used for decoration field such as super market, Hotel, tavern, meeting-room, exhibition hall, show window, Disco, karaoke singing-hall, house decoration and etc.
Replacement bulbs for general lighting, especially for museums Art galleries, cosmetic counter and etc.



NAMING RULES

LT-GU10-4X1W-*

- Company name: LEDTEK (LT)
- PRODUCT CATEGORY: LED GU10 Lamp cup
- Power Consumption
- Color



SPECIFICATIONS

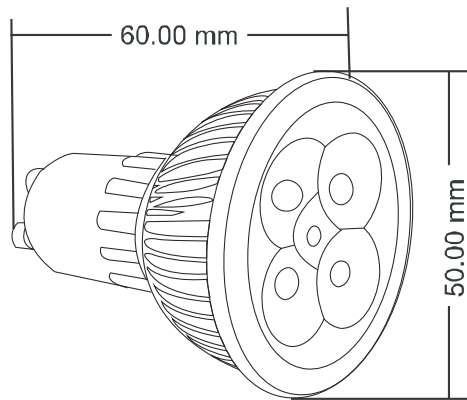
Model No.	LT-GU10-4X1W-*
LED Quantity	4pcs
Power Consumption	4W
Input Voltage	AC85-264V
View Angle	45 degree
Lamp base	Aluminium body/GU10 base
Life Span	35000 Hours
Working Temperature	-20°C ~ 50°C
Humidity	20 % ~ 90 %
Color	Warm White/Cool White/Daywhite/Red/Green/Blue/Yellow
Kevin(k)	3000-3500k/4000-4500k/6000-7000k

ShenZhen LEDTEK Optoelectronics Technology Co.,Ltd

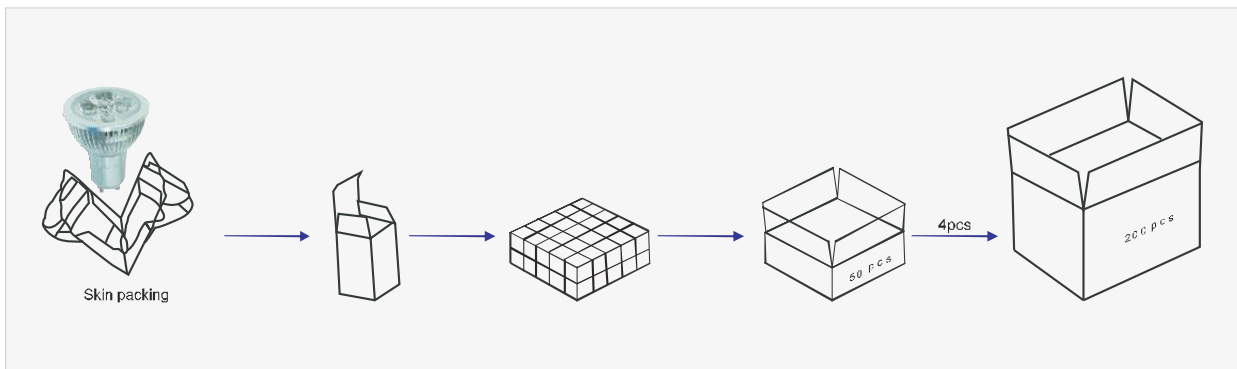
PICTURES



ACTUAL SIZE



PACKING INFORMATION



Individual Net Weigh	56g
Packing Qty	200pcs/box
Net weight	11.2kg
Gross weight	12kg
Outside packing carton	565*290*355mm

ShenZhen LEDTEK Optoelectronics Technology Co.,Ltd