

SMD3528 LED GU10 SPOTLIGHT



INTRODUCTION

Long life and high brightness Low power consumption and easy to handle, Environment friendly, Safety and easy to install.



1. Base type: GU10 base
2. Energy-saving and environment-friendly
3. Full range of colors: cool white, warm white, red, blue, green and yellow
4. Superior thermal management with internal aluminium PCB Board and external glass housing
5. Light source: 48pcs SMD3528 LED
6. Temperature: -30°C ~ 40°C degrees celsius
7. Brightness degradation: 3% - 5% 1kh
8. Lifespan: 35,000 hours
9. No UV or IR radiation



APPLICATIONS

Widely used for decoration field such as super market, Hotel, tavern, meeting-room, exhibition hall, show window, Disco, karaoke singing-hall, house decoration and etc. Replacement bulbs for general lighting, especially for museums Art galleries, cosmetic counter and etc.



NAMING RULES

LT-GU10-3W48S3528-*

- Company name: LEDTEK (LT)
- Product category: LED GU10
- Power Consumption
- LED Qty
- SMD3528 LED
- Color



SPECIFICATIONS

Model No.	LT-GU10-3W48S3528-*
LED Quantity	48pcs
Source	3528 SMD LED
Power Consumption	4W
Warranty	12 Months
Life Span	35000Hours
LED Operating Voltage	AC85-264V
Luminous flux	274LM
Working Temperature	-30°C~40°C
Humidity	20 % ~ 90 %
Color	Warm White/Cool White/Daylight/Red/Green/Blue/Yellow
Kevin(k)	3000-3500k/4000-4500k/6000-7000k

ShenZhen LEDTEK Optoelectronics Technology Co.,Ltd

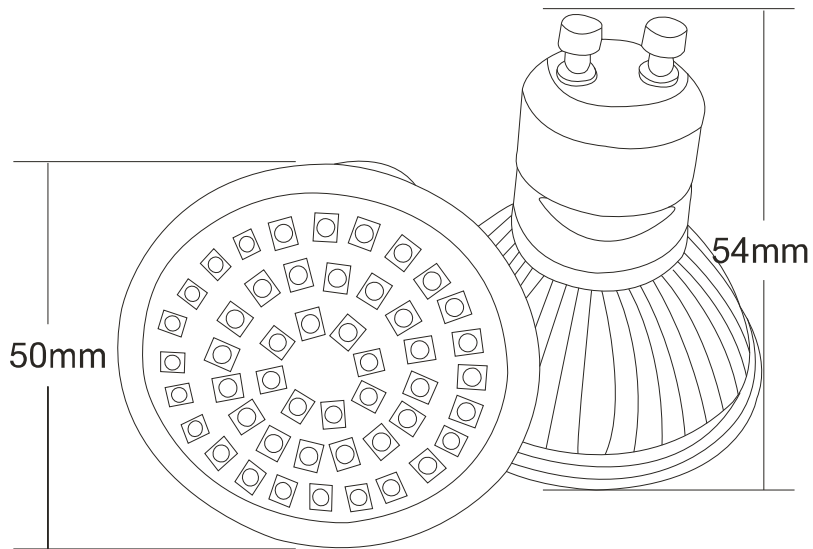
WWW.LEDTEK.COM.CN

SALES@LEDTEK.COM.CN

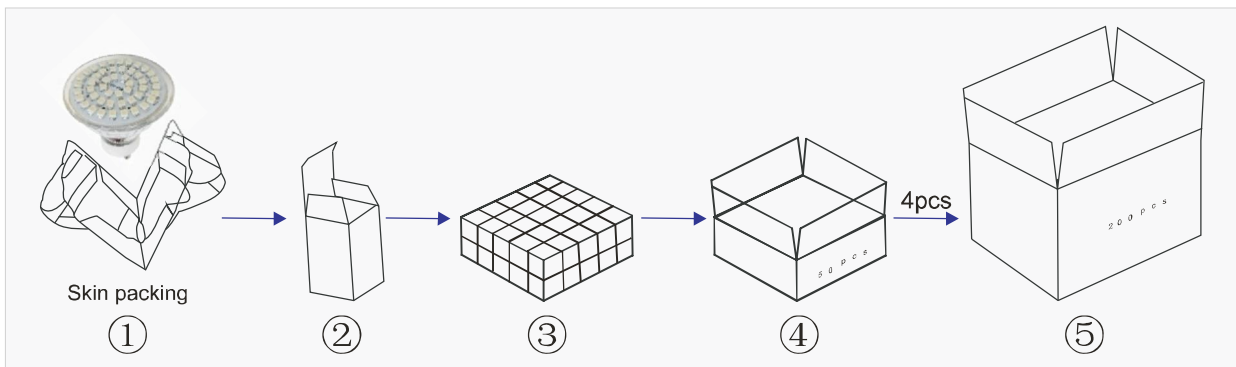
PICTURES



ACTUAL SIZE



PACKING INFORMATION



Individual Net Weigh	58g
Packing Qty	200pcs
Net weight	11.6kgs
Gross weight	12.4kgs
Outside packing carton	565mmx290mmx355mm

ShenZhen LEDTEK Optoelectronics Technology Co.,Ltd