

# LED MODULE SERIES

## INTRODUCTION

LED SMD Modules series adopt high quality high luminance LEDs, it's new green high-tech product, brilliant light, high in saturation, uniform in color, it's new revolution of light source in indoor and outdoor lighting/decoration fields;

Features:

1. Long lifespan, energy saving, low cost;
2. Easy installation, groove and matching wires to enable easy fast installation;
3. Waterproof, use new waterproof design, working temperature -50°C ~ 80°C;
4. Energy Efficient: Energy saving up to 80% than traditional neon lights;

Applications:

- 1) Channel Letters Backlighting
- 2) Indoor Lighting and Decoration
- 3) Architecture Lighting
- 4) Advertising Light Box Backlighting
- 5) Sign Board Backlighting
- 6) Commercial Sign Backlighting



## NAMING RULES

LT - MLS - 4515S5050 - WP - DW - 2

- Company name: LEDTEK (LT)
- Product category: LED Module (MLS)
- Size
- SMD 5050 LED
- Waterproof
- Color
- LED Qty.

## SPECIFICATIONS

### Light source parameters

LED type	SMD 5050 LED
Angle(θ)	≥ 120°
LED Qty	2pcs
Life Span	>30000 H

### Electrical parameters

Luminous flux(lm)	27 lm(one module)
Voltage	DC12V
Power	0.48W 0.24W(only for red and yellow)

### Interface and cascade characteristics

Interface	20AWG # Row line
Standard connection	50pcs
Maximum connection	≤ 100pcs

### Appearance parameters

Size	45*15*6mm
Color	DW/CW/WW/R/G/B/Y

### Fixed way

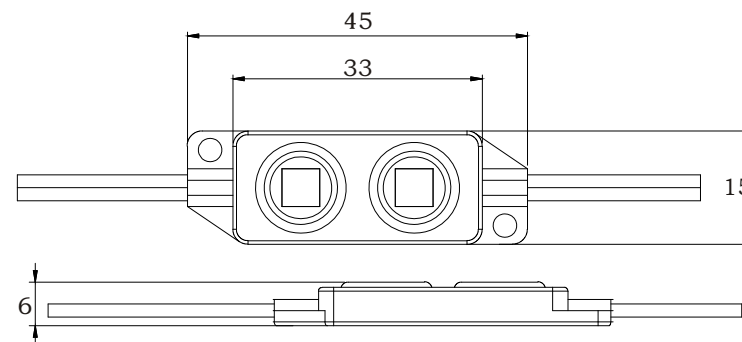
Screws	3mm
Back glue	30*12*1.0mm Double-sided adhesive

### Environmental parameters

Working Temperature	-40°C - +60°C
Storage Temperature	-50°C - +80°C
IP	IP65
Warranty	5 years

ISO9001:2008 CE RoHS

## SIZE



## PACKING INFORMATION



Electrostatic bag size	200*240mm
Outside packing carton	980*230*265mm
Packing Qty	60 String
Net weight	17kg
Gross weight	18kg

# LED MODULE SERIES

## INTRODUCTION

LED SMD Modules series adopt high quality high luminance LEDs, it's new green high-tech product, brilliant light, high in saturation, uniform in color, it's new revolution of light source in indoor and outdoor lighting/decoration fields;

### Features:

1. Long lifespan, energy saving, low cost;
2. Easy installation, groove and matching wires to enable easy fast installation;
3. Waterproof, use new waterproof design, working temperature -50°C ~ 80°C;
4. Energy Efficient: Energy saving up to 80% than traditional neon lights;

### Applications:

- 1) Channel Letters Backlighting
- 2) Indoor Lighting and Decoration
- 3) Architecture Lighting
- 4) Advertising Light Box Backlighting
- 5) Sign Board Backlighting
- 6) Commercial Sign Backlighting



LT-MLS-6015S5050-WP-DW-3

## NAMING RULES

LT - MLS - 6015S5050 - WP - DW - 3

- Company name: LEDTEK ( LT )
- Product category: LED Module (MLS)
- Size
- SMD 5050 LED
- Waterproof
- Color
- LED Qty.

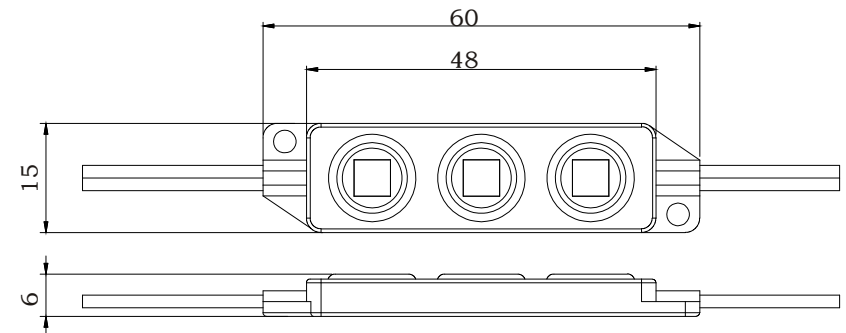
## SPECIFICATIONS

Light source parameters	
LED type	SMD 5050 LED
Angle(θ)	≥ 120°
LED Qty	3pcs
Life Span	>30000 H
Electrical parameters	
Luminous flux(lm)	41 lm(one module)
Voltage	DC12V
Power	0.72W
Interface and cascade characteristics	
Interface	20AWG # Row line
Standard connection	50pcs
Maximum connection	≤ 100pcs

Appearance parameters	
Size	60*15*6mm
Color	DW/CW/WW/R/G/B/Y
Fixed way	
Screws	3mm
Back glue	43*12*1.0mm Double-sided adhesive
Environmental parameters	
Working Temperature	-40°C - +60°C
Storage Temperature	-50°C - +80°C
IP	IP65
Warranty	5 years

ISO9001:2008 CE RoHS

## SIZE



## PACKING INFORMATION



Electrostatic bag size	200*240mm
Outside packing carton	980*230*265mm
Packing Qty	60 String
Net weight	19kg
Gross weight	20kg

# LED MODULE SERIES

## INTRODUCTION

LED SMD Modules series adopt high quality high luminance LEDs, it's new green high-tech product, brilliant light, high in saturation, uniform in color, it's new revolution of light source in indoor and outdoor lighting/decoration fields;

Features:

1. Long lifespan, energy saving, low cost;
2. Easy installation, groove and matching wires to enable easy fast installation;
3. Waterproof, use new waterproof design, working temperature -50°C ~ 80°C;
4. Energy Efficient: Energy saving up to 80% than traditional neon lights;

Applications:

- 1) Channel Letters Backlighting
- 2) Indoor Lighting and Decoration
- 3) Architecture Lighting
- 4) Advertising Light Box Backlighting
- 5) Sign Board Backlighting
- 6) Commercial Sign Backlighting



## NAMING RULES

LT - M L S - 3 2 1 3 S 3 5 2 8 - W P - D W - 3

- Company name: LEDTEK ( LT )
- Product category: LED Module (MLS)
- Size
- SMD 3528 LED
- Waterproof
- Color
- LED Qty.

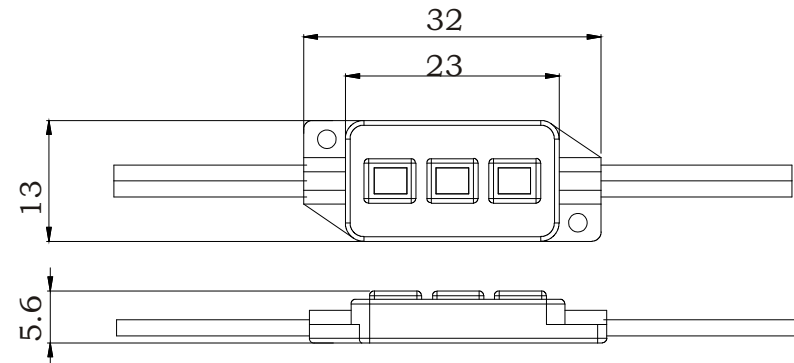
## SPECIFICATIONS

Light source parameters	
LED type	SMD 3528 LED
Angle(θ)	≥ 120°
LED Qty	3pcs
Life Span	>30000 H
Electrical parameters	
Luminous flux(lm)	14 lm(one module)
Voltage	DC12V
Power	0.24W
Interface and cascade characteristics	
Interface	20AWG # Row line
Standard connection	50pcs
Maximum connection	≤ 100pcs

Appearance parameters	
Size	32*13*5.6mm
Color	DW/CW/WW/R/G/B/Y
Fixed way	
Screws	2mm
Back glue	19*9*1.0mm Double-sided adhesive
Environmental parameters	
Working Temperature	-40°C - +60°C
Storage Temperature	-50°C - +80°C
IP	IP65
Warranty	5 years

ISO9001:2008 CE RoHS

## SIZE



## PACKING INFORMATION



Electrostatic bag size	200*240mm
Outside packing carton	980*230*265mm
Packing Qty	70 String
Net weight	11kg
Gross weight	12kg

# LED MODULE SERIES

## INTRODUCTION

LED SMD Modules series adopt high quality high luminance LEDs, it's new green high-tech product, brilliant light, high in saturation, uniform in color, it's new revolution of light source in indoor and outdoor lighting/decoration fields;

Features:

1. Long lifespan, energy saving, low cost;
2. Easy installation, groove and matching wires to enable easy fast installation;
3. Waterproof, use new waterproof design, working temperature -50°C ~ 80°C;
4. Energy Efficient: Energy saving up to 80% than traditional neon lights;

Applications:

- 1) Channel Letters Backlighting
- 2) Indoor Lighting and Decoration
- 3) Architecture Lighting
- 4) Advertising Light Box Backlighting
- 5) Sign Board Backlighting
- 6) Commercial Sign Backlighting



LT-MLS-2617S3528-WP-DW-4

## NAMING RULES

LT - MLS - 2617S3528 - WP - DW - 4

- Company name: LEDTEK ( LT )
- Product category: LED Module (MLS)
- Size
- SMD 3528 LED
- Waterproof
- Color
- LED Qty.

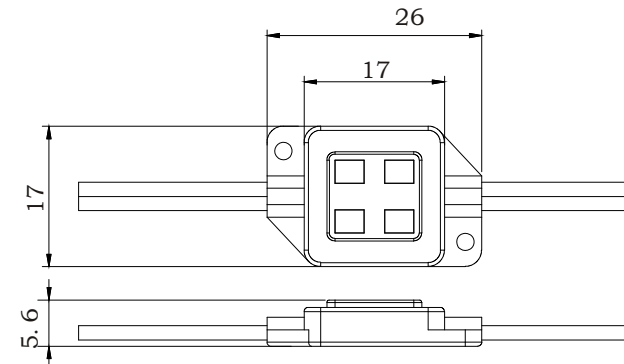
## SPECIFICATIONS

Light source parameters	
LED type	SMD 3528 LED
Angle(θ)	≥ 120°
LED Qty	4pcs
Life Span	>30000 H
Electrical parameters	
Luminous flux(lm)	18 lm(one module)
Voltage	DC12V
Power	0.48W
Interface and cascade characteristics	
Interface	20AWG # Row line
Standard connection	50pcs
Maximum connection	≤ 100pcs

Appearance parameters	
Size	26*17*5.6mm
Color	DW/CW/WW/R/G/B/Y
Fixed way	
Screws	2mm
Back glue	13*13*1.0mm Double-sided adhesive
Environmental parameters	
Working Temperature	-40°C - +60°C
Storage Temperature	-50°C - +80°C
IP	IP65
Warranty	5 years

ISO9001:2008

## SIZE



## PACKING INFORMATION



Electrostatic bag size	200*240mm
Outside packing carton	980*230*265mm
Packing Qty	50 String
Net weight	10kg
Gross weight	11kg

# LED MODULE SERIES

## INTRODUCTION

LED SMD Modules series adopt high quality high luminance LEDs, it's new green high-tech product, brilliant light, high in saturation, uniform in color, it's new revolution of light source in indoor and outdoor lighting/decoration fields;

Features:

1. Long lifespan, energy saving, low cost;
2. Easy installation, groove and matching wires to enable easy fast installation;
3. Waterproof, use new waterproof design, working temperature -50°C ~ 80°C;
4. Energy Efficient: Energy saving up to 80% than traditional neon lights;

Applications:

- 1) Channel Letters Backlighting
- 2) Indoor Lighting and Decoration
- 3) Architecture Lighting
- 4) Advertising Light Box Backlighting
- 5) Sign Board Backlighting
- 6) Commercial Sign Backlighting



LT-MLS-7515S5050-WP-DW-4

## NAMING RULES

LT - M L S - 7 5 1 5 S 5 0 5 0 - W P - D W - 4

- Company name: LEDTEK ( LT )
- Product category: LED Module (MLS)
- Size
- SMD 5050 LED
- Waterproof
- Color
- LED Qty.

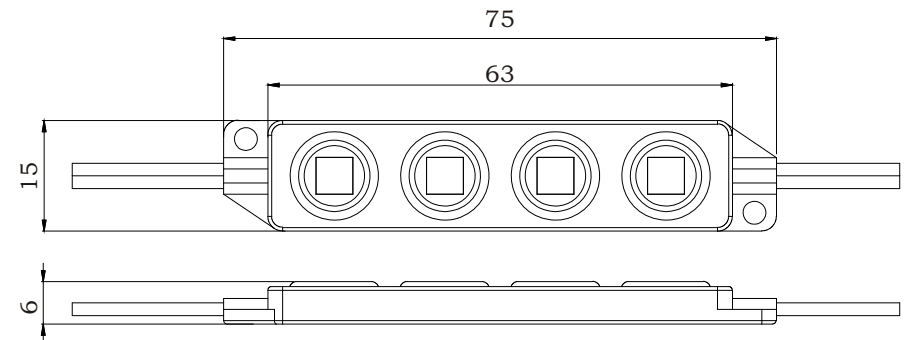
## SPECIFICATIONS

Light source parameters	
LED type	SMD 5050 LED
Angle(θ)	≥ 120°
LED Qty	4pcs
Life Span	>30000 H
Electrical parameters	
Luminous flux(lm)	54 lm(one module)
Voltage	DC12V
Power	0.96W
Interface and cascade characteristics	
Interface	20AWG # Row line
Standard connection	25pcs
Maximum connection	≤ 50pcs

Appearance parameters	
Size	75*15*6mm
Color	DW/CW/WW/R/G/B/Y
Fixed way	
Screws	3mm
Back glue	59*12*1.0mm Double-sided adhesive
Environmental parameters	
Working Temperature	-40°C - +60°C
Storage Temperature	-50°C - +80°C
IP	IP65
Warranty	5 years

ISO9001:2008 CE RoHS

## SIZE



## PACKING INFORMATION



Electrostatic bag size	200*240mm
Outside packing carton	980*230*265mm
Packing Qty	60 String
Net weight	15kg
Gross weight	16kg

# LED MODULE SERIES

## INTRODUCTION

LED SMD Modules series adopt high quality high luminance LEDs, it's new green high-tech product, brilliant light, high in saturation, uniform in color, it's new revolution of light source in indoor and outdoor lighting/decoration fields;

Features:

1. Long lifespan, energy saving, low cost;
2. Easy installation, groove and matching wires to enable easy fast installation;
3. Waterproof, use new waterproof design, working temperature -50°C ~ 80°C;
4. Energy Efficient: Energy saving up to 80% than traditional neon lights;

Applications:

- 1) Channel Letters Backlighting
- 2) Indoor Lighting and Decoration
- 3) Architecture Lighting
- 4) Advertising Light Box Backlighting
- 5) Sign Board Backlighting
- 6) Commercial Sign Backlighting



LT-MLS-4534S5050-WP-DW-4

## NAMING RULES

LT - MLS - 4534S5050 - WP - DW - 4

- Company name: LEDTEK ( LT )
- Product category: LED Module (MLS)
- Size
- SMD 5050 LED
- Waterproof
- Color
- LED Qty.

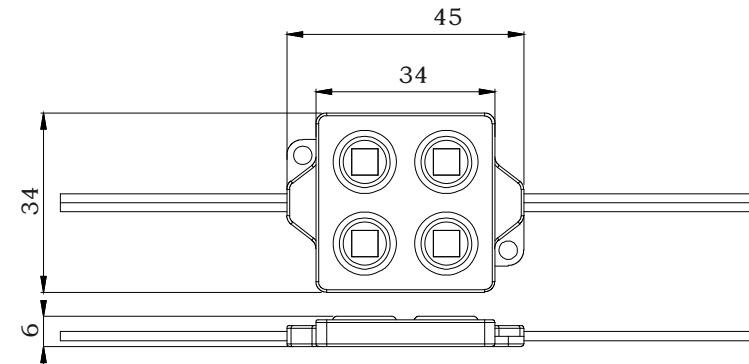
## SPECIFICATIONS

Light source parameters	
LED type	SMD 5050 LED
Angle( $\theta$ )	$\geq 120^\circ$
LED Qty	4pcs
Life Span	>30000 H
Electrical parameters	
Luminous flux(lm)	54 lm(one module)
Voltage	DC12V
Power	0.96W
Interface and cascade characteristics	
Interface	20AWG # Row line
Standard connection	25pcs
Maximum connection	$\leq 50$ pcs

Appearance parameters	
Size	45*34*6mm
Color	DW/CW/WW/R/G/B/Y
Fixed way	
Screws	3mm
Back glue	30*30*1.0mm Double-sided adhesive
Environmental parameters	
Working Temperature	-40°C - +60°C
Storage Temperature	-50°C - +80°C
IP	IP65
Warranty	5 years

ISO9001:2008 RoHS

## SIZE



## PACKING INFORMATION



Electrostatic bag size	200*240mm
Outside packing carton	980*230*265mm
Packing Qty	25 String
Net weight	7kg
Gross weight	8kg

# LED MODULE SERIES RECOMMEND



LED SMD Modules series adopt high quality high luminance LEDs, it's new green high-tech product, brilliant light, high in saturation, uniform in color, it's new revolution of light source in indoor and outdoor lighting/decoration fields;

## Features:

1. Long lifespan, energy saving, low cost;
2. Easy installation, groove and matching wires to enable easy fast installation;
3. Waterproof, use new waterproof design, working temperature  $-50^{\circ}\text{C} \sim 80^{\circ}\text{C}$ ;
4. Energy Efficient: Energy saving up to 80% than traditional neon lights;

## Applications:

- 1) Channel Letters Backlighting
- 2) Indoor Lighting and Decoration
- 3) Architecture Lighting
- 4) Advertising Light Box Backlighting
- 5) Sign Board Backlighting
- 6) Commercial Sign Backlighting

# LED MODULE SERIES JQUERY VALIDATION



ISO9001:2008

CE RoHS