

# LED MODULE SERIES

## INTRODUCTION

LED SMD Modules series adopt high quality high luminance LEDs, it's new green high-tech product, brilliant light, high in saturation, uniform in color, it's new revolution of light source in indoor and outdoor lighting/decoration fields;

Features:

1. Long lifespan, energy saving, low cost;
2. Easy installation, groove and matching wires to enable easy fast installation;
3. Waterproof, use new waterproof design, working temperature -50°C ~ 80°C;
4. Energy Efficient: Energy saving up to 80% than traditional neon lights;

Applications:

- 1) Channel Letters Backlighting
- 2) Indoor Lighting and Decoration
- 3) Architecture Lighting
- 4) Advertising Light Box Backlighting
- 5) Sign Board Backlighting
- 6) Commercial Sign Backlighting



LT-MLS4030S5050-WP-RGB-2

## NAMING RULES

LT-MLS4030S5050-WP-RGB-2

- Company name: LEDTEK (LT)
- Product category: LED Module (MLS)
- Size
- SMD 5050 LED
- Waterproof
- Color
- LED Qty.

## SPECIFICATIONS

### Light source parameters

LED type	SMD 5050 LED
Angle( $\theta$ )	$\geq 120^\circ$
LED Qty	2pcs
Life Span	>30000 H

### Electrical parameters

Luminous flux(lm)	27 lm(one module)
Voltage	DC12V
Power	0.6W

### Interface and cascade characteristics

Interface	20AWG # Row line
Standard connection	50pcs
Maximum connection	$\leq 100$ pcs

### Appearance parameters

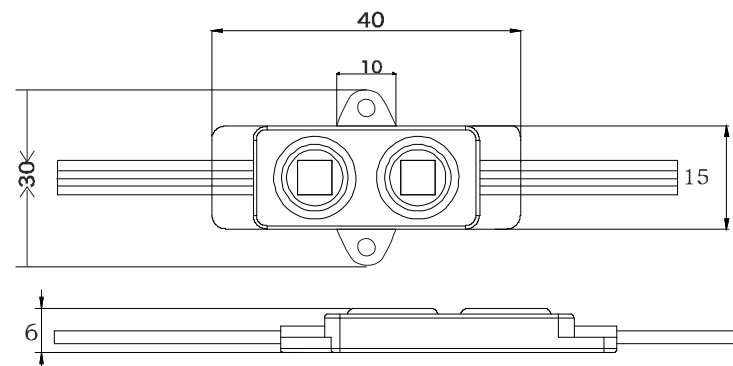
Size	40*30*6mm
Color	DW/CW/WW/R/G/B/Y/RGB
Fixed way	
Screws	3mm
Back glue	29*11*1.0mm

### Environmental parameters

Working Temperature	-40°C - +60°C
Storage Temperature	-50°C - +80°C
IP	IP65
Warranty	5 years

ISO9001:2008 CE RoHS

## SIZE



## PACKING INFORMATION



Electrostatic bag size	200*240mm
Outside packing carton	980*230*265mm
Packing Qty	30string
Net weight	8kg
Gross weight	9kg

# LED MODULE SERIES

## INTRODUCTION

LED SMD Modules series adopt high quality high luminance LEDs, it's new green high-tech product, brilliant light, high in saturation, uniform in color, it's new revolution of light source in indoor and outdoor lighting/decoration fields;

Features:

1. Long lifespan, energy saving, low cost;
2. Easy installation, groove and matching wires to enable easy fast installation;
3. Waterproof, use new waterproof design, working temperature -50°C ~ 80°C;
4. Energy Efficient: Energy saving up to 80% than traditional neon lights;

Applications:

- 1) Channel Letters Backlighting
- 2) Indoor Lighting and Decoration
- 3) Architecture Lighting
- 4) Advertising Light Box Backlighting
- 5) Sign Board Backlighting
- 6) Commercial Sign Backlighting



LT-MLS7030S5050-WP-RGB-4

## NAMING RULES

LT-MLS7030S5050-WP-RGB-4

- Company name: LEDTEK (LT)
- Product category: LED Module (MLS)
- Size
- SMD 5050 LED
- Waterproof
- Color
- LED Qty.

## SPECIFICATIONS

### Light source parameters

LED type	SMD 5050 LED
Angle(θ)	≥ 120°
LED QTY	4pcs
Life Span	>30000 H

### Electrical parameters

Luminous flux(lm)	54 lm(one module)
Voltage	DC12V
Power	0.9W

### Interface and cascade characteristics

Interface	20AWG # Row line
Standard connection	25pcs
Maximum connection	≤ 100pcs

### Appearance parameters

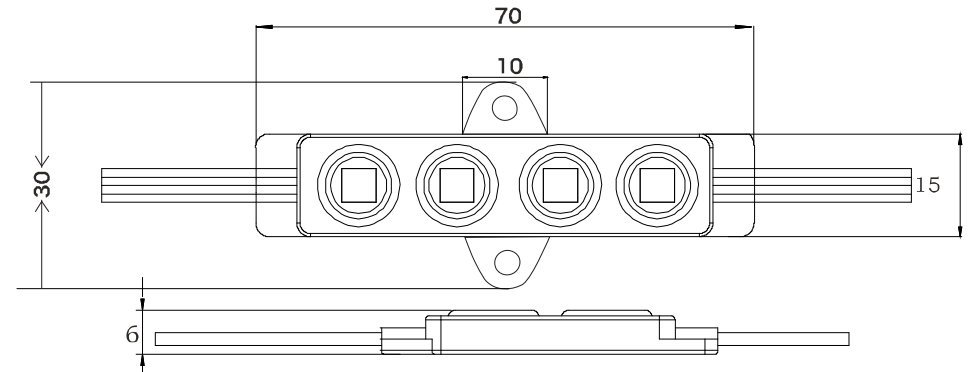
Size	70*30*6mm
Color	DW/CW/WW/R/G/B/Y/RGB
<b>Fixed way</b>	
Screws	3mm
Back glue	59*12*1.0mm

### Environmental parameters

Working Temperature	-40°C - +60°C
Storage Temperature	-50°C - +80°C
IP	IP65
Warranty	5 years

ISO9001:2008 CE RoHS

## SIZE



## PACKING INFORMATION



Electrostatic bag size	200*240mm
Outside packing carton	980*230*265mm
Packing Qty	30 string
Net weight	5kg
Gross weight	6kg