

LED Bulb Series (球泡灯系列)

--LT-HPB-11W

【规格书】

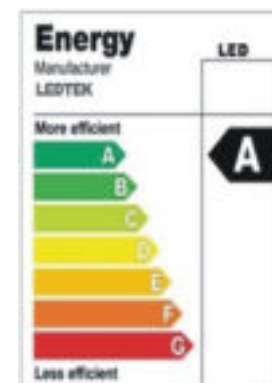
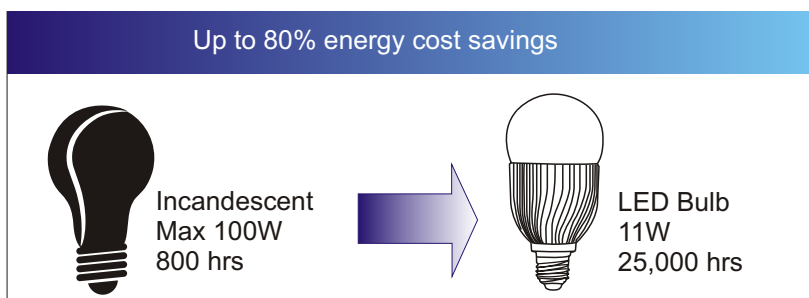
Feature:

With super bright LED light source. This LED bulb provides cozy and gentle light without flashing or UV radiation. It's small-sized, easy to install, and looks nice. With milk white glass cover, good light permeation.

LED球泡灯特点:

LED球泡灯采用超高亮度的LED作为光源光色舒适, 无频闪, 无紫外线辐射, 造型美观大方.

球泡灯灯罩采用防爆仿磨砂玻璃罩, 透光好



CE

RoHS

ShenZhen LEDTEK Optoelectronics Technology Co., Ltd

ADD: 7th Floor, No. 2 building, 1 Liuxian Road, Block 67, Jia'an High Tech Industrial Park, Bao'an Shenzhen China 518102
TEL: 0755-26785388 FAX: 0755-26788290
E-mail: sales@ledtek.com.cn Http://www.ledtek.com.cn

● 深圳市镭泰光电科技有限公司

地址: 深圳市宝安区留仙一路甲岸科技园2号7楼
电话: 0755-26785388 传真: 0755-26788290
邮箱: sales@ledtek.com.cn Http://www.ledtek.com.cn



Product Specification

Application :

These series of lamps are widely used in shop,hotel,family decoration and replace of traditional bulb.

Remark:

1. It is Non-waterproof.
2. Rating Voltage: 85-264VAC are available.
3. Quantity of LED can design as per client requirement.

Basic Specification

Light Source	High-power LED
Color Temperature	Day light (6000K -7000K) CoolWhite (4000K -4500K) WarmWhite(3000K -3500K)
LifeSpan	*25, 000Hours
Shell	Aluminium body/Glass Bulb

Operating Environment

Working Temperature	-20° C to 50° C
	Please make use of it in dry condition

Basic Electrical Specification

Input Voltage	85-264VAC
LED drive mode	Constant Current Mode

Beam Angle Specification

View Angle	180 degree
------------	------------



* Tj=25°

ShenZhen LEDTEK Optoelectronics Technology Co., Ltd

ADD: 7th Floor, No. 2 building, 1 Liuxian Road, Block 67, Jia'an High Tech Industrial Park, Bao'an Shenzhen China 518102
TEL: 0755-26785388 FAX: 0755-26788290
E-mail: sales@ledtek.com.cn Http://www.ledtek.com.cn

● 深圳市镭泰光电科技有限公司

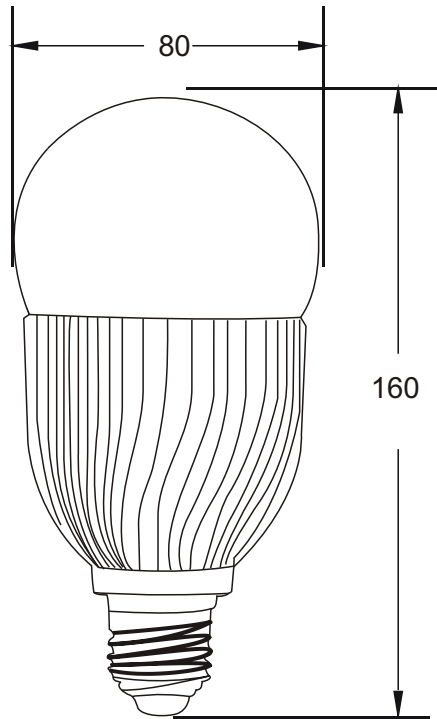
地址: 深圳市宝安区留仙一路甲岸科技园2号7楼
电话: 0755-26785388 传真: 0755-26788290
邮箱: sales@ledtek.com.cn Http://www.ledtek.com.cn



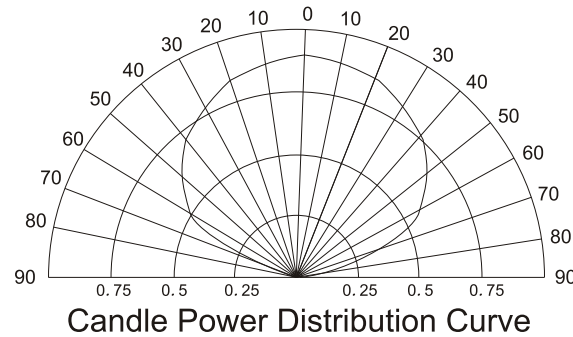
Specification table

Part No.	Color Temperature	Initial lighting	Size	Wattage	Base
LT-HPB-11W	DayLight (6000k-7000k)	810	∅ 80x160mm	11W ± 10%	E27/E26/B22
LT-HPB-11W	CoolWhite (4000k-4500k)	765			
LT-HPB-11W	WarmWhite (3000k-3500k)	720			

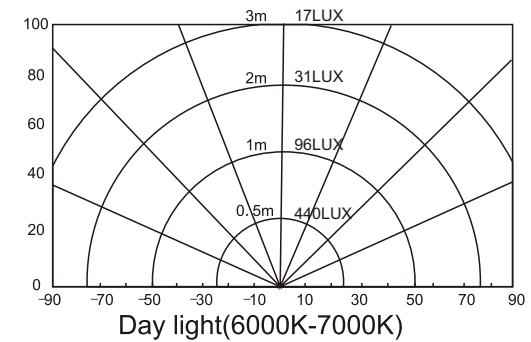
Physical Dimension



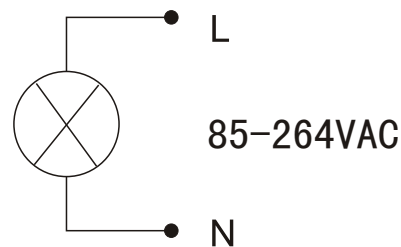
Optoelectronic



Illumination the centre



Installation Illustration



ShenZhen LEDTEK Optoelectronics Technology Co., Ltd

ADD: 7th Floor, No. 2 building, 1 Liuxian Road, Block 67, Jia'an High Tech Industrial Park, Bao'an Shenzhen China 518102
 TEL: 0755-26785388 FAX: 0755-26788290
 E-mail: sales@ledtek.com.cn Http://www.ledtek.com.cn

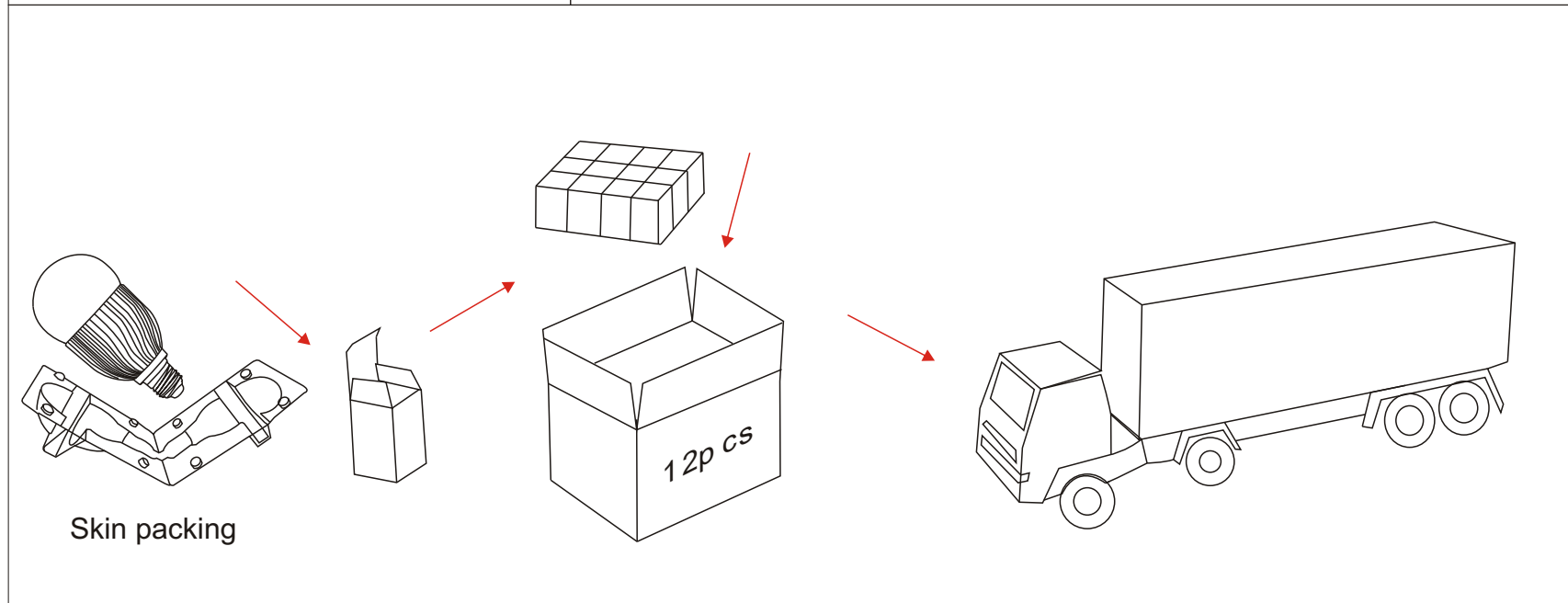
• 深圳市镭泰光电科技有限公司

地址: 深圳市宝安区71区留仙一路甲岸科技园2号7楼
 电话: 0755-26785388 传真: 0755-26788290
 邮箱: sales@ledtek.com.cn Http://www.ledtek.com.cn



Packing Specification

Individual Net Weigh	273g
Packing Qty	12pcs/box
Net weight	3.3Kgs
Gross weight	5.3Kgs
Outside packing carton	415*315*200mm



ShenZhen LEDTEK Optoelectronics Technology Co., Ltd

ADD: 7th Floor, No. 2 building, 1 Liuxian Road, Block 67, Jia'an High Tech Industrial Park, Bao'an Shenzhen China 518102
TEL: 0755-26785388 FAX: 0755-26788290
E-mail: sales@ledtek.com.cn Http://www.ledtek.com.cn

● 深圳市镭泰光电科技有限公司

地址: 深圳市宝安区67区留仙一路甲岸科技园2号7楼
电话: 0755-26785388 传真: 0755-26788290
邮箱: sales@ledtek.com.cn Http://www.ledtek.com.cn

