



5050 SMD LED Aluminum Strip Light

Feature

1. Low power consumption; low heat
2. Compact size to suit narrow space installation.
3. Well-protected package for shipment
4. Waterproof grade: IP65

Application:

- 1) Cove lighting
- 2) Can be installed in refrigerator for lighting
- 3) Architectural lights for canopy, corridor. Window, archway
- 4) Backlight or edge lighting for signage
- 5) DIY lights for home use
- 6) Decorative lights for holiday, event, show, exhibition
- 7) Decorative lights for automobile
- 8) Ideal replacement of incandescent and fluorescent light
- 9) Under-cabinet lighting
- 10) Refrigerated display lighting
- 11) Bar and freezer cabinet lighting

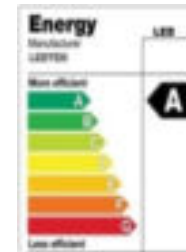
Recommend product



Benefit

- 1) Solid-state, high shock / vibration resistant
- 2) Major reduction in power costs
- 3) No RF interference, No buzzing noise
- 4) No flickering
- 5) No threat of high-voltage electrocution
- 6) Maintenance free, easy installation
- 7) Long lifetime
- 8) Low power consumption, high intensity

Basic Specification	Light Source	5050 SMD LED
	Color Temperature	Daylight (6000K-7000K) CoolWhite (4000K-4500K) WarmWhite (3000K-3500K) RGB/R/G/B/Y
	LifeSpan	* 50,000Hours
	Shell	Aluminium body
Operating Environment	Working Temperature	(-40° C to 50° C)
Basic Electrical Specification	Input Voltage	DC12V
	LED drive mode	Constant Voltage Mode



RoHS

CE

* $T_c=25^{\circ}C$ Note:LED's life may be affected by various factors

LEDTEK Optoelectronic Technology Co., Ltd

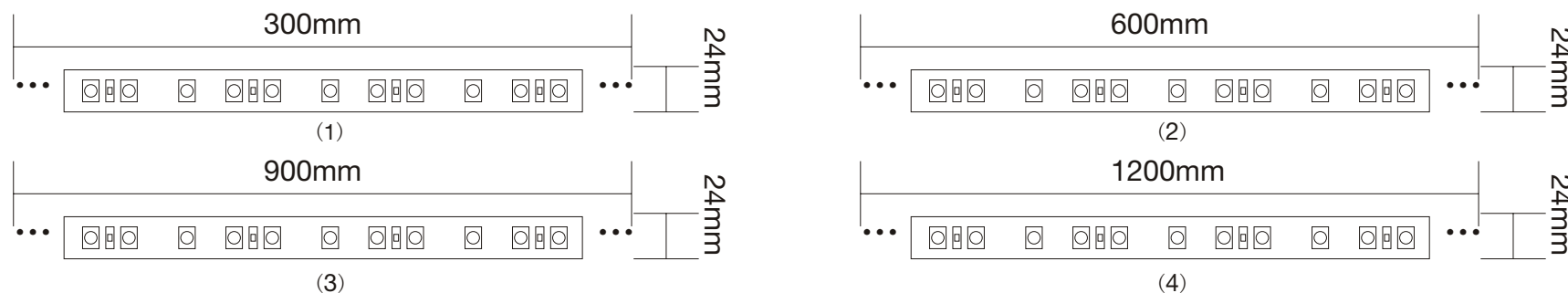
Specification table



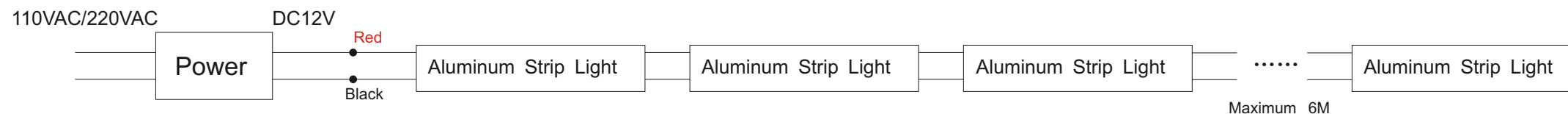
Part No.	Emitting Colour	LED Qty.	LED Type	Watt (W)	Length (cm)	Voltage (V)
LT-ALS5050AXX15-12	WW/CW/DW/R/G/B/Y/RGB	15pcs	SMD 5050	3.6w \pm 10%	50cm	DC 12V
LT-ALS5050AXX30-12		30pcs		7.2w \pm 10%	100cm	
LT-ALS5050AXX45-12		45pcs		10.8w \pm 10%	150cm	

Part No.	Emitting Colour	LED Qty.	LED Type	Watt (W)	Length (cm)	Voltage (V)
LT-ALS5050BXX30-12	WW/CW/DW/R/G/B/Y/RGB	30pcs	SMD 5050	7.2w \pm 10%	50cm	DC 12V
LT-ALS5050BXX60-12		60pcs		14.4w \pm 10%	100cm	
LT-ALS5050BXX90-12		90pcs		21.6w \pm 10%	150cm	

Physical Dimension



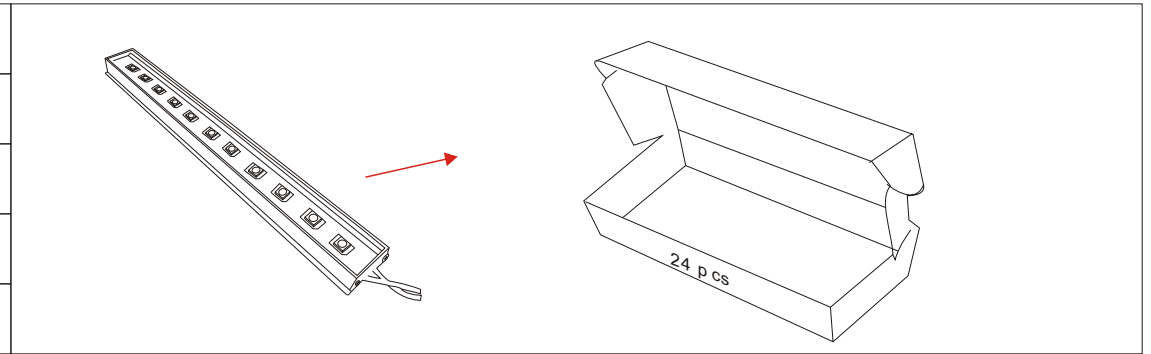
Installation Illustration



Packing information

LT-ALS5050(30PCS-50mm)

Individual Net Weigh	152g
Packing Qty	24pcs/carton
Net weight	3.7Kgs
Gross weight	4Kgs
Outside packing carton	530*250*60mm



LT-ALS5050(60PCS-100mm)

Individual Net Weigh	305g
Packing Qty	24pcs/carton
Net weight	7.3Kgs
Gross weight	7.7Kgs
Outside packing carton	1030*250*60mm

